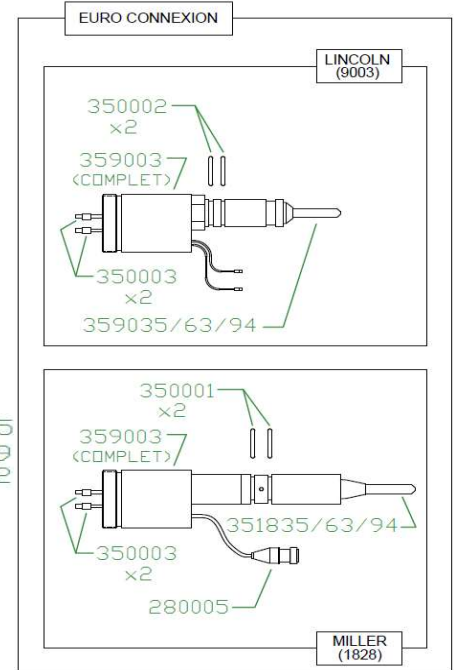
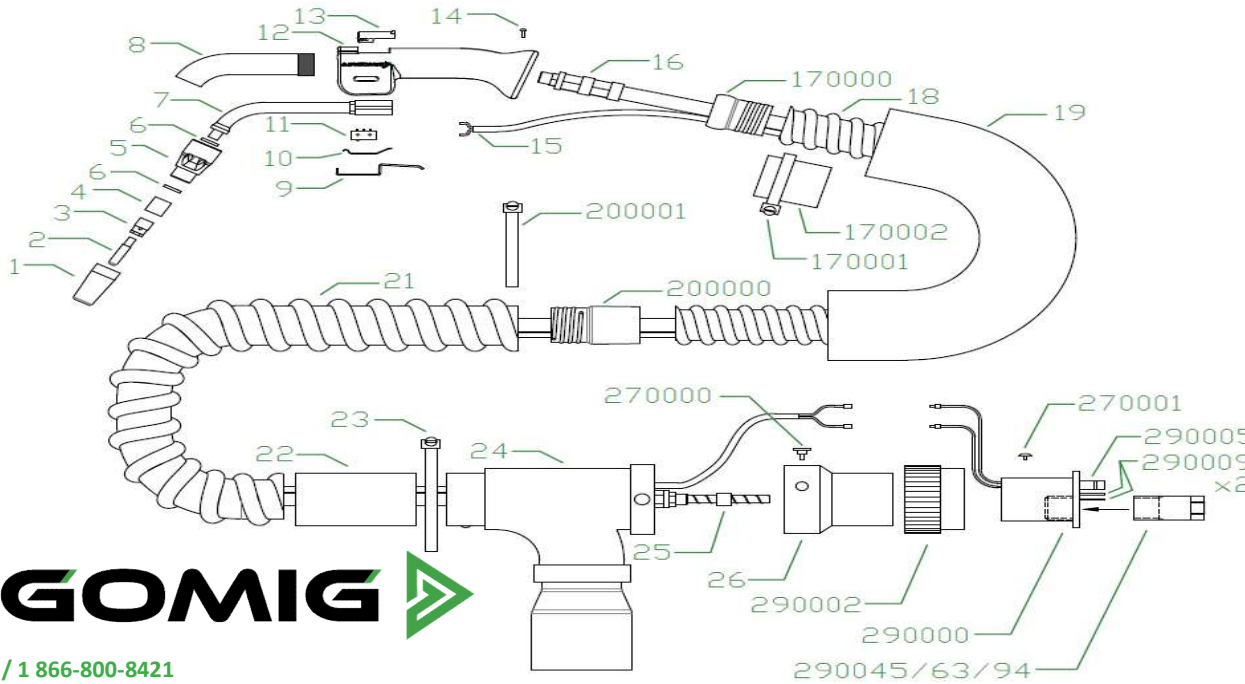


# AIRGOMIG GUN EURO CONNECTION

Version 2021-12-03



info@airgomig.com / 1 866-800-8421

#	PART	DESCRIPTION	#	PART	DESCRIPTION	#	PART	DESCRIPTION
---- GAS NOZZLES ----			---- HANDLES AND ACCESSORIES ----			23 230000 HOSE RING CLAMP ON TEE		
1	01C050	GAS NOZZLE - Cu - Ø 1/2"	9	090000	STAINLESS STEEL TRIGGER - STANDARD	24	240000	VACUUM TEE CONNECTOR Ø 2" - ASSEMBLED
	01C063	GAS NOZZLE - Cu - Ø 5/8"		090001	STAINLESS STEEL TRIGGER - LONG		---- WIRE LINERS ----	
	01C075	GAS NOZZLE - Cu - Ø 3/4"	10	100000	TRIGGER SPRING	25	25S457	WIRE LINER 17' LONG STANDARD - Ø 0.030 - 0.045 - BLUE
	01Z050	GAS NOZZLE - CuCrZr - Ø 1/2"		110000	MICROSWITCH		25S637	WIRE LINER 17' LONG STANDARD - Ø 0.052 - 0.063 (1/16") - RED
	01Z063	GAS NOZZLE - CuCrZr - Ø 5/8"		120300	300A HANDLE - ASSEMBLED		25S947	WIRE LINER 17' LONG STANDARD - Ø 0.078 - 0.094 (3/32") - BLACK
	01Z075	GAS NOZZLE - CuCrZr - Ø 3/4"		120400	400A HANDLE - ASSEMBLED		25S455	WIRE LINER 25' LONG STANDARD - Ø 0.030 - 0.045 - BLUE
---- CONTACT TIPS ----			120500	500A HANDLE - ASSEMBLED	25S635		WIRE LINER 25' LONG STANDARD - Ø 0.052 - 0.063 (1/16") - RED	
2	02Z035	CONTACT TIP - CuCrZr - 0.035	130000	HANDLE VENT LATCH	25N457		WIRE LINER 17' LONG NYLATRON - Ø 0.030 - 0.045 - BLUE	
	02Z045	CONTACT TIP - CuCrZr - 0.045	140004	PACK OF 5 HANDLE SCREWS (M3.5 X 16MM)	25N637		WIRE LINER 17' LONG NYLATRON - Ø 0.052 - 0.063 (1/16") - RED	
	02Z052	CONTACT TIP - CuCrZr - 0.052	---- ELECTRICAL CABLES ----				25N455	WIRE LINER 25' LONG NYLATRON - Ø 0.030 - 0.045 - BLUE
	02Z063	CONTACT TIP - CuCrZr - 0.063 (1/16")	15	150012	CONTROL CABLE - for 12' gun	25N635	WIRE LINER 25' LONG NYLATRON - Ø 0.052 - 0.063 (1/16") - RED	
	02Z094	CONTACT TIP - CuCrZr - 0.094 (3/32")		150015	CONTROL CABLE - for 15' gun	---- CONNECTIONS ----		
	02CT35	CONTACT TIP - Cu - 0.035 TAPER		160312	POWER CABLE 300A - for 12' gun	26	260000	ADAPTOR FITTING BLOCK TEE
	02ZT35	CONTACT TIP - CuCrZr - 0.035 TAPER		160315	POWER CABLE 300A - for 15' gun	27	270000	BRASS SCREW M6 X 1
	02ZT45	CONTACT TIP - CuCrZr - 0.045 TAPER		160412	POWER CABLE 400A - for 12' gun	270001	STEEL SCREW M4 X 0.7	
---- GAS DIFFUSORS ----			160415	POWER CABLE 400A - for 15' gun	28	280005	TRIGGER CONNECTION PLUG - MILLER	
3	030000	GAS DIFFUSOR	160512	POWER CABLE 500A - for 12' gun		290000	COUPLING BLOCK FOR EURO CONNECTOR - ASSEMBLED	
---- FUME SHROUD AND INSULATOR ----			160515	POWER CABLE 500A - for 15' gun		290002	EURO CONNECTOR NUT	
4	040001	DIFFUSOR INSULATOR	---- VACUUM CONNECTIONS ----			290005	GAZ NIPPLE FOR EURO ADAPTER - ASSEMBLED	
	050000	FUME SHROUD - STANDARD	170000	SPHERICAL COUPLER Ø 1.75"		29	290009	ELECTRIC SPRING CONTACT PIN (2 per gun) - ASSEMBLED
	050001	FUME SHROUD - TULIP	170001	SPRING CLAMP FOR SPHERICAL COUPLER	290045		GUIDE FOR WIRE LINER (Ø 0.030-0.045) (FOR EURO BLOCK)	
---- SWAN NECKS AND INSULATOR ----			170002	HEAT SHRINK 2"Ø X 2.5"	290063	GUIDE FOR WIRE LINER (Ø 0.052-0.063) (FOR EURO BLOCK)		
6	060000	SWAN NECK INSULATOR FLAT	18	180000	FLEXIBLE HOSE Ø 1.75"	290094	GUIDE FOR WIRE LINER (Ø 0.078-0.094) (FOR EURO BLOCK)	
	07S045	SWAN NECK 45°		190050	STANDARD HOSE PROTECTION - lg 5'	35	350001	O-RING FOR LINCOLN REEL ADAPTOR
	07L045	SWAN NECK 45° Long		190100	STANDARD HOSE PROTECTION - lg 10'		350002	O-RING FOR MILLER REEL ADAPTOR
	07S060	SWAN NECK 60°		190150	STANDARD HOSE PROTECTION - lg 15'		350003	FEMALE CONNECTOR FOR EURO CONNECTOR
---- OUTER NECKS ----			200000	HOSE COUPLER - Ø 1.75" @ Ø 2"	351828		EURO CONNECTOR - MILLER 1828	
8	08S045	OUTER NECK 45°	200001	SPRING CLAMP FOR ADAPTEUR Ø 1.75" @ Ø 2"	3518XX	3518XX	GUIDE TUBE MILLER 1828	
	08L045	OUTER NECK 45° LONG	21	210000		REINFORCED HOSE Ø 2" (see below to calculate)	XX = 35 (Fil 0.024"-0.035"), 63 (Fil 0.045"-0.063") ou 94 ( Fil 0.094")	
	08S060	OUTER NECK 60°		Length : 89" for the first 12' and then 12" per feet		359003	EURO CONNECTOR - LINCOLN 9003	
			22	220000	HOSE BEND RESTRICTOR	3590XX	GUIDE TUBE LINCOLN 9003	
							XX = 35 (Fil 0.024"-0.035"), 63 (Fil 0.045"-0.063") ou 94 ( Fil 0.094")	